

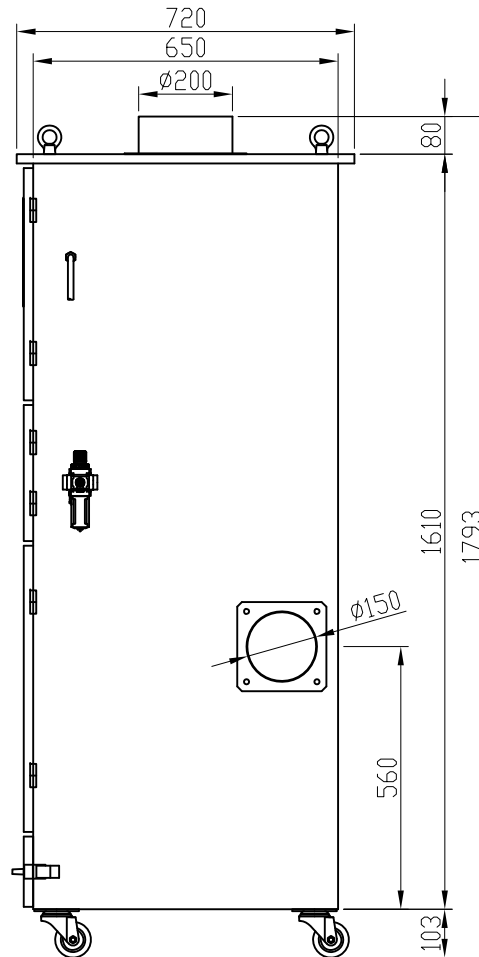
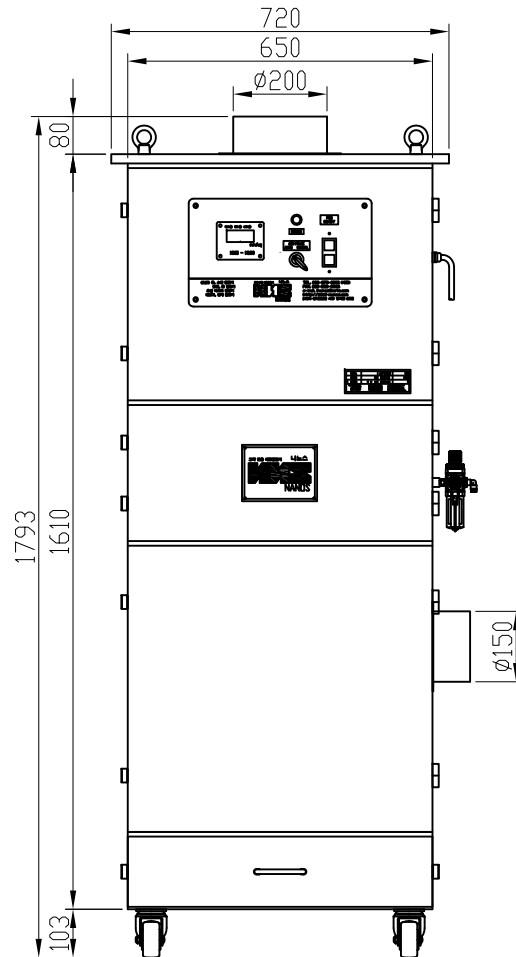
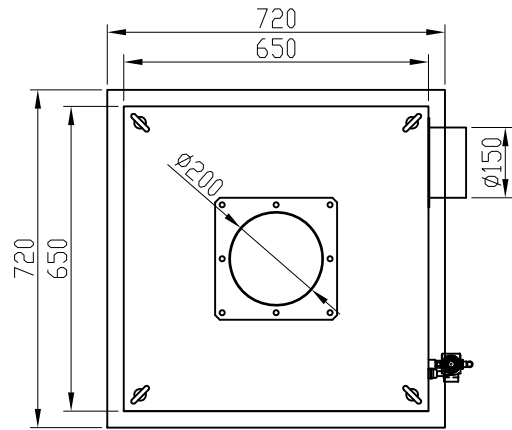
1	CABINET	1	650 x 650 x 1360 x 1.6t
2	TURBO BLOWER	1	0.75kw x 12CMM x 200mmAq
3	SOLENOID VALVE	3	JISI-20
4	NOZZLE	3	PIPE 20A & 8A
5	AIR TANK	1	SQ PIPE 100
6	BAFFLE PLATE	2	PUNCHING PLATE 1.6t
7	CARTRIDGE FILTER	6	ø145 x 300L x 75tH
8	OUTLET FLANGE	1	ø150
9	LIFT LUG	4	I-NUT M12
10	MANDMETOR	1	DIGITAL 0 ~ 300 mmAq
11	CONTROL PANEL	1	CONTROL SWITCH
12	POWER CABLE	1	V.C.T.F CABLE
13	CHECK LINE	1	PULSE & MANDMETER LINE
14	REGULATOR	1	PP2 (8A)
15	INLET FLANGE	1	ø125
16	DUST BOX	1	19.5 LITER
17	CASTER	4	ROTATION 3' STOPPER

\*\*\* CHECK POINTS \*\*\*  
A. ---

SPECIFICATION			
MODEL NAME	NA-10	OPTION	-
FAN SPEC.			
FAN DIVISION	TURBO BLOWER		
AIR VOLUME	12 CMM	STATIC	200 mmAq
MOTOR	0.75 kw [ 1 HP ]	POWER	380V x 3P
FILTER SPEC.			
1ST	CARTRIDGE FILTER	MATERIAL	POLYESTER
SIZE	ø145 x 300L x 75tH x 6EA	AREA	6.75 m <sup>2</sup>

\*\*\* PAINT COLOR \*\*\*  
BODY : EX8816(S) 5Y 7/1  
DOOR : EX8816-DIC546 1/2

 www.nanos.co.kr	SIZE	A3	CUSTOMER	-
	SCALE	1 / 1	TITLE	AIR PULSE TYPE DUST COLLECTOR
	DRAWN	APPROVED	NANOS	DWG. NO.
	B.B.M	-	NA-10	
	12.06.01	-		



1	CABINET	1	650 x 650 x 1610 x 1.6t
2	TURBO BLOWER	1	1.5kw x 25CMM x 230mmAq
3	SOLENOID VALVE	3	JISI-20
4	NOZZLE	3	PIPE 20A & 8A
5	AIR TANK	1	SQ PIPE 100
6	BAFFLE PLATE	2	PUNCHING PLATE 1.6t
7	CARTRIDGE FILTER	6	Ø145 x 500L x 75tH
8	OUTLET FLANGE	1	Ø200
9	LIFT LUG	4	I-NUT M12
10	MANOMETER	1	DIGITAL 0 ~ 300 mmAq
11	CONTROL PANEL	1	CONTROL SWITCH
12	POWER CABLE	1	V.C.T.F CABLE
13	CHECK LINE	1	PULSE & MANOMETER LINE
14	REGULATOR	1	PP2 (8A)
15	INLET FLANGE	1	Ø150
16	DUST BOX	1	19.5 LITER
17	CASTER	4	ROTATION 4' STOPPER

\*\*\* CHECK POINTS \*\*\*

A. ---

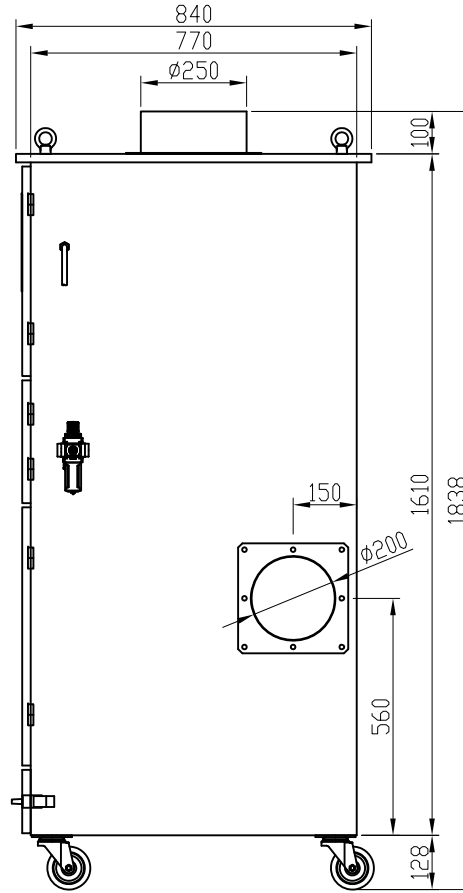
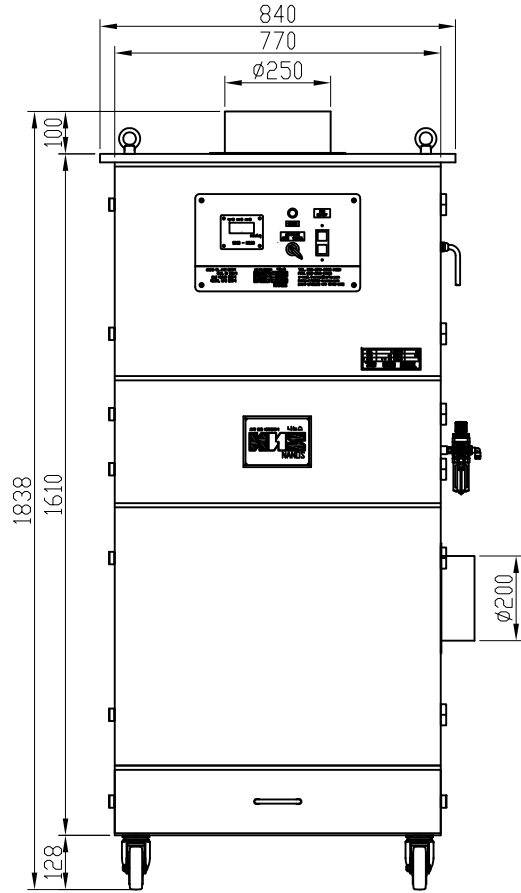
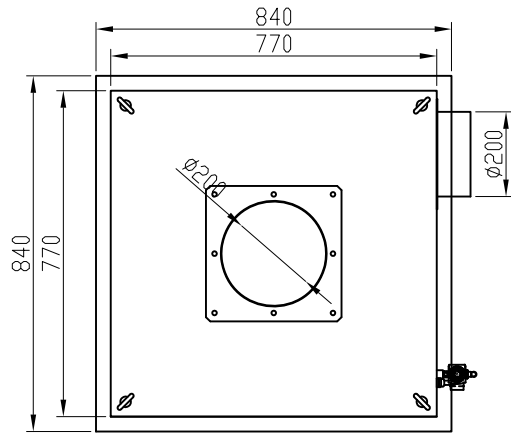
SPECIFICATION			
MODEL NAME	NA-20	OPTION	-
FAN SPEC.			
FAN DIVISION	TURBO BLOWER		
AIR VOLUME	25 CMM	STATIC	230 mmAq
MOTOR	1.5 kw [ 2 HP ]	POWER	380V x 3P
FILTER SPEC.			
1ST	CARTRIDGE FILTER	MATERIAL	POLYESTER
	SIZE	Ø145 x 500L x 75tH x 6EA	AREA

\*\*\* PAINT COLOR \*\*\*

BODY : EX8816(S) 5Y 7/1

DOOR : EX8816-DIC546 1/2

 고객맞춤 대표 장비기 www1-nanos.co.kr	SIZE	A3	CUSTOMER	-
	SCALE	1 / 1	TITLE	AIR PULSE TYPE DUST COLLECTOR
	DRAWN	APPROVED	NANOS DWG. NO.	NA-20
	B.B.M	-		
	12.06.01	-		



1	CABINET	1	770 x 770 x 1610 x 1.6t
2	TURBO BLOWER	1	2.2kw x 40CMM x 230mmAq
3	SOLENOID VALVE	3	JISI-20
4	NOZZLE	3	PIPE 20A & 8A
5	AIR TANK	1	SQ PIPE 100
6	BAFFLE PLATE	2	PUNCHING PLATE 1.6t
7	CARTRIDGE FILTER	9	φ145 x 500L x 75tH
8	OUTLET FLANGE	1	φ250
9	LIFT LUG	4	I-NUT M12
10	MANOMETER	1	DIGITAL 0 ~ 300 mmAq
11	CONTROL PANEL	1	CONTROL SWITCH
12	POWER CABLE	1	V.C.T.F CABLE
13	CHECK LINE	1	PULSE & MANOMETER LINE
14	REGULATOR	1	PP2 (8A)
15	INLET FLANGE	1	φ200
16	DUST BOX	1	29.1 LITER
17	CASTER	4	ROTATION 4° STOPPER

\*\*\* CHECK POINTS \*\*\*

A. ---

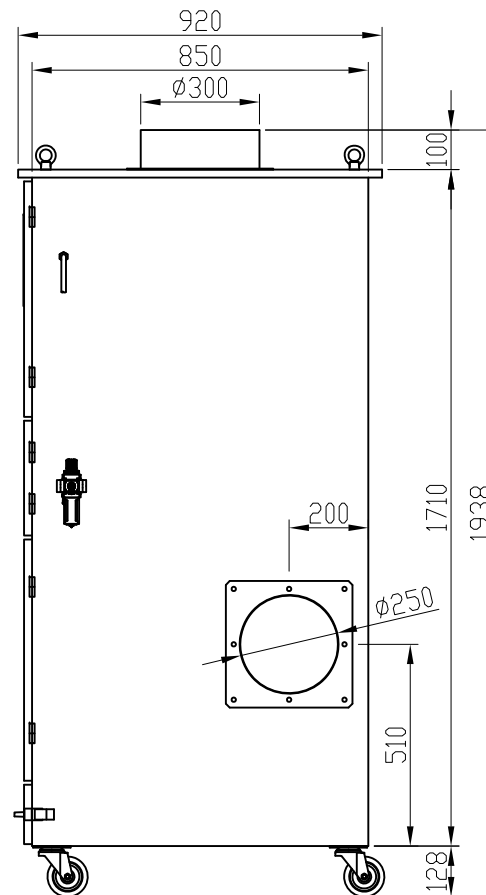
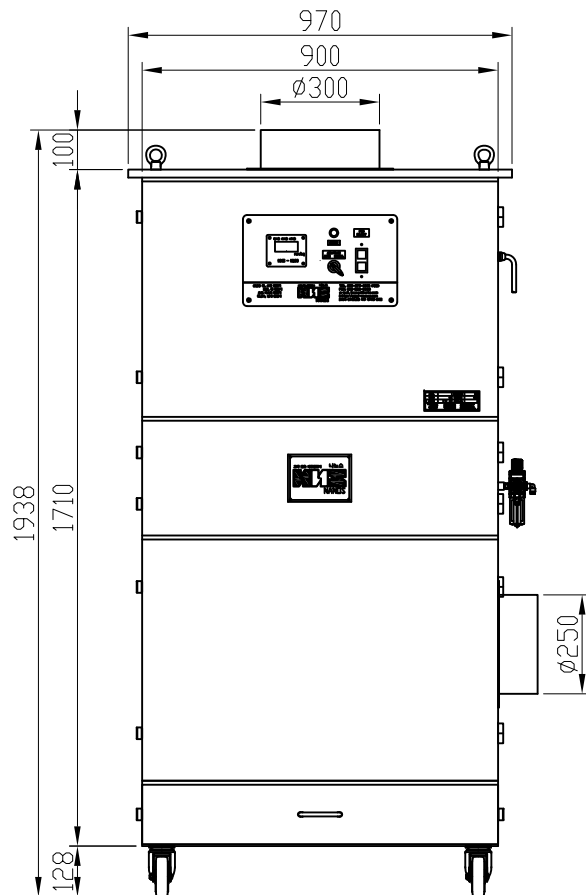
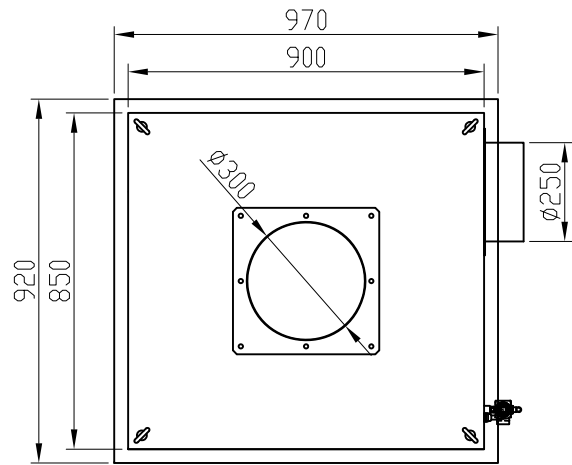
SPECIFICATION			
MODEL NAME	NA-30	OPTION	-
FAN SPEC.			
FAN DIVISION	TURBO BLOWER		
AIR VOLUME	40 CMM	STATIC	230 mmAq
MOTOR	2.2 kw [ 3 HP ]	POWER	380V x 3P
FILTER SPEC.			
1ST	CARTRIDGE FILTER	MATERIAL	POLYESTER
	SIZE	φ145 x 500L x 75tH x 9EA	AREA

\*\*\* PAINT COLOR \*\*\*

BODY : EX8816(S) 5Y 7/1

DOOR : EX8816-DIC546 1/2

 고객맞춤 대표 장비기 www.nanos.co.kr	SIZE	A3	CUSTOMER	-
	SCALE	1 / 1	TITLE	AIR PULSE TYPE DUST COLLECTOR
	DRAWN	APPROVED	NANOS	DWG. NO.
	B.BM	-	NA-30	
	12.06.01	-		



1	CABINET	1	900 x 850 x 1710 x 1.6t
2	TURBO BLOWER	1	3.7kw x 60CMM x 250mmAq
3	SOLENOID VALVE	4	JISI-20
4	NOZZLE	4	PIPE 20A & 8A
5	AIR TANK	1	SQ PIPE 100
6	BAFFLE PLATE	2	PUNCHING PLATE 1.6t
7	CARTRIDGE FILTER	12	φ145 x 500L x 75tH
8	OUTLET FLANGE	1	φ300
9	LIFT LUG	4	I-NUT M12
10	MANOMETER	1	DIGITAL 0 ~ 300 mmAq
11	CONTROL PANEL	1	CONTROL SWITCH
12	POWER CABLE	1	V.C.T.F CABLE
13	CHECK LINE	1	PULSE & MANOMETER LINE
14	REGULATOR	1	PP2 (8A)
15	INLET FLANGE	1	φ250
16	DUST BOX	1	38.5 LITER
17	CASTER	4	ROTATION 4' STOPPER

\*\*\* CHECK POINTS \*\*\*

A. ---

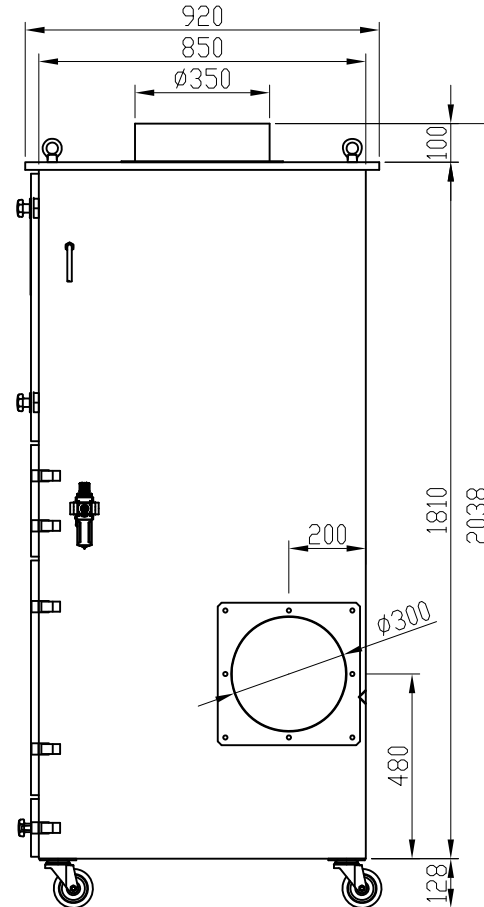
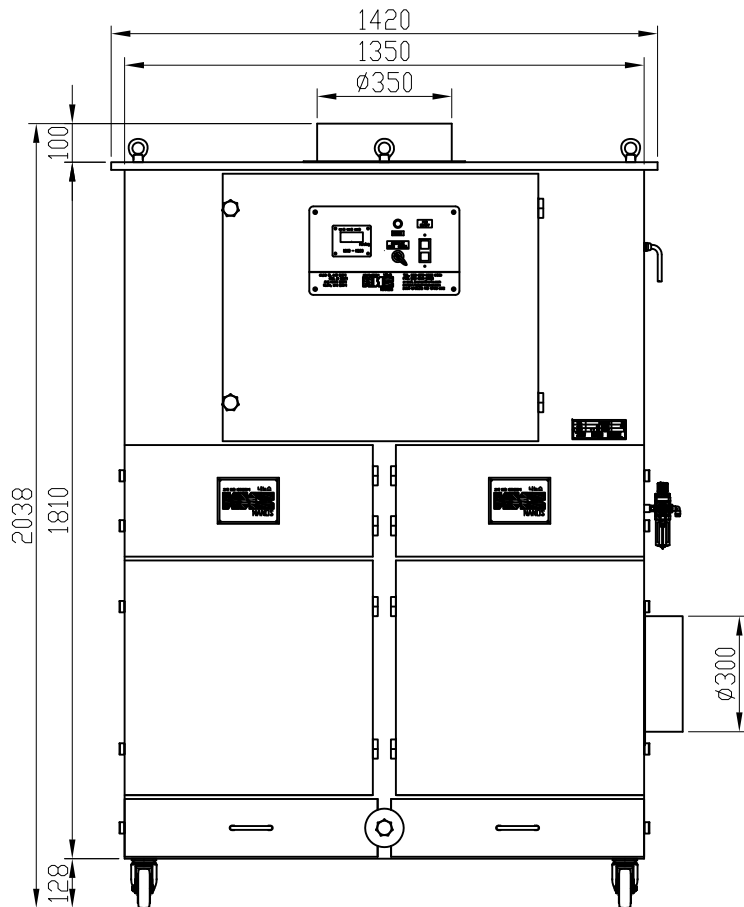
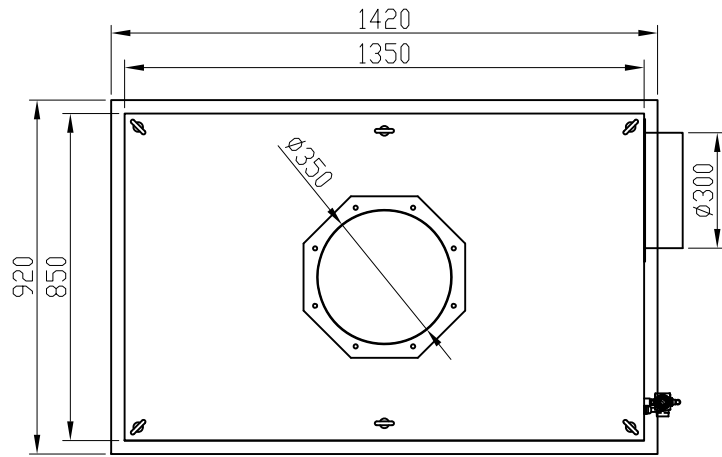
SPECIFICATION			
MODEL NAME	NA-50	OPTION	-
FAN SPEC.			
FAN DIVISION	TURBO BLOWER		
AIR VOLUME	60 CMM	STATIC	250 mmAq
MOTOR	3.7 kw [ 5 HP ]	POWER	380V x 3P
FILTER SPEC.			
1ST	CARTRIDGE FILTER	MATERIAL	POLYESTER
	SIZE φ145 x 500L x 75tH x 12EA	AREA	22.5 m <sup>2</sup>

\*\*\* PAINT COLOR \*\*\*

BODY : EX8816(S) 5Y 7/1

DOOR : EX8816-DIC546 1/2

SIZE	A3	CUSTOMER	-
mm SCALE	1 / 1	TITLE	AIR PULSE TYPE DUST COLLECTOR
DRAWN	APPROVED	HANDS DWG. NO.	NA-50
B.B.M	-		
12.06.01	-		



1	CABINET	1	1350 x 850 x 1810 x 2.3t
2	TURBO BLOWER	1	5.5kw x 80CMM x 250mmAq
3	SOLENOID VALVE	6	JISI-20
4	NOZZLE	6	PIPE 20A & 8A
5	AIR TANK	2	SQ PIPE 100
6	BAFFLE PLATE	2	PUNCHING PLATE 2.3t
7	CARTRIDGE FILTER	16	φ145 x 500L x 75tH
8	OUTLET FLANGE	1	φ350
9	LIFT LUG	6	I-NUT M12
10	MANOMETER	1	DIGITAL 0 ~ 300 mmAq
11	CONTROL PANEL	1	CONTROL SWITCH
12	POWER CABLE	1	V.C.T.F CABLE
13	CHECK LINE	1	PULSE & MANOMETER LINE
14	REGULATOR	1	PP2 (8A)
15	INLET FLANGE	1	φ300
16	DUST BOX	2	54.23 LITER
17	CASTER	4	ROTATION 4' STOPPER

\*\*\* CHECK POINTS \*\*\*

A. ---

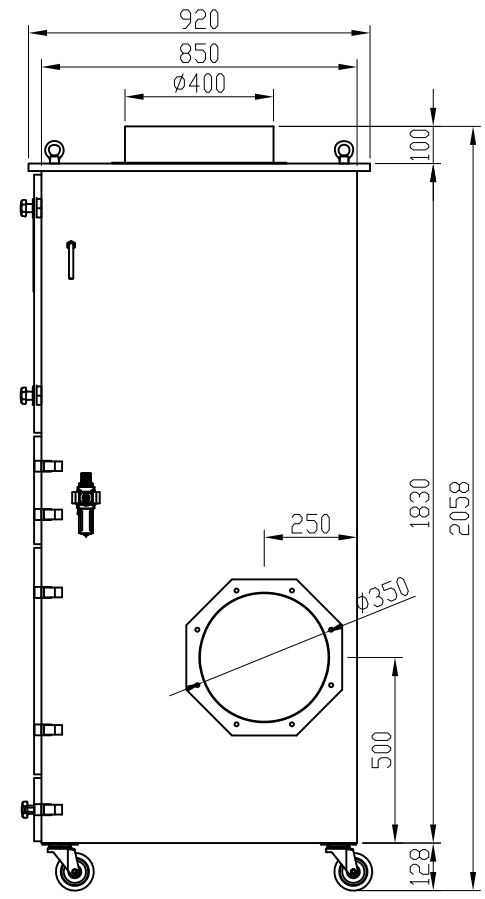
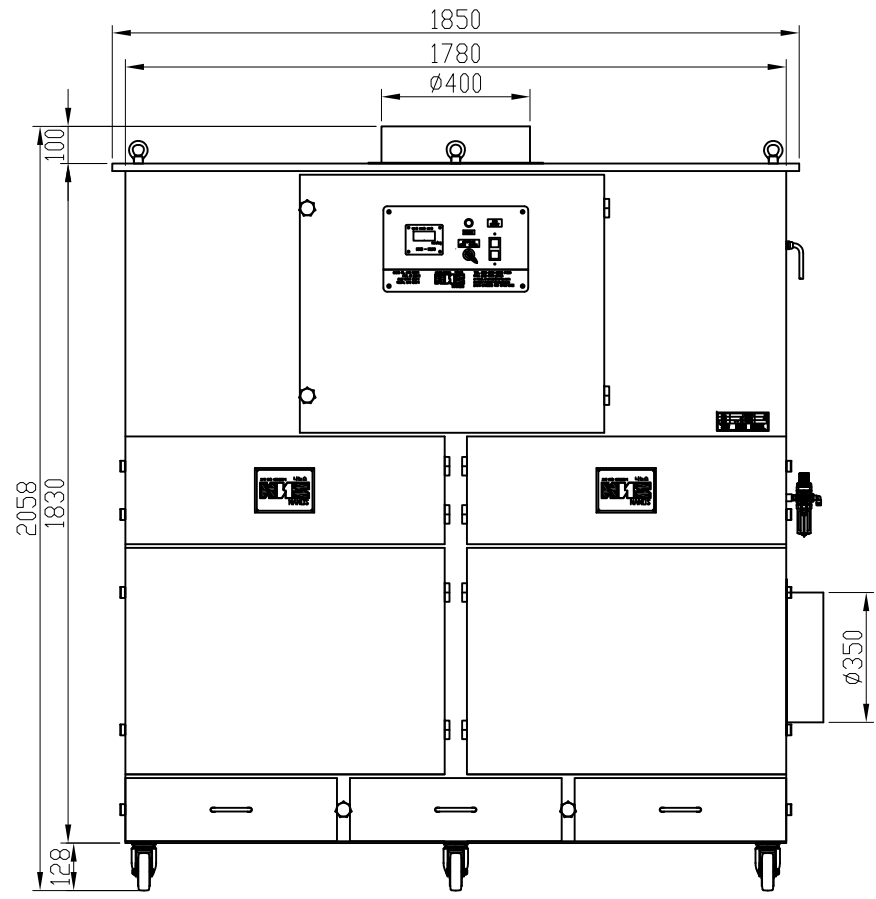
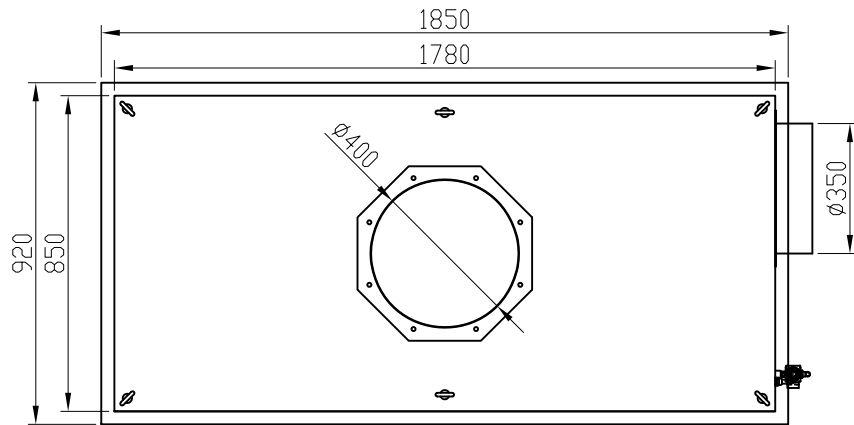
SPECIFICATION			
MODEL NAME	NA-75	OPTION	-
FAN SPEC.			
FAN DIVISION	TURBO BLOWER		
AIR VOLUME	80 CMM	STATIC	250 mmAq
MOTOR	5.5 kw [ 7.5 HP ]	POWER	380V x 3P
FILTER SPEC.			
1ST	CARTRIDGE FILTER	MATERIAL	POLYESTER
	SIZE	φ145 x 500L x 75tH x 18EA	AREA

\*\*\* PAINT COLOR \*\*\*

BODY : EX8816(S) 5Y 7/1

DOOR : EX8816-DIC546 1/2

 고객맞춤 대표 장비기 www-nanos.co.kr	SIZE	A3	CUSTOMER	-
	SCALE	1 / 1	TITLE	AIR PULSE TYPE DUST COLLECTOR
	DRAWN	APPROVED	NANOS	DWG. NO.
	B.B.M	-	NA-75	
	12.06.01	-		



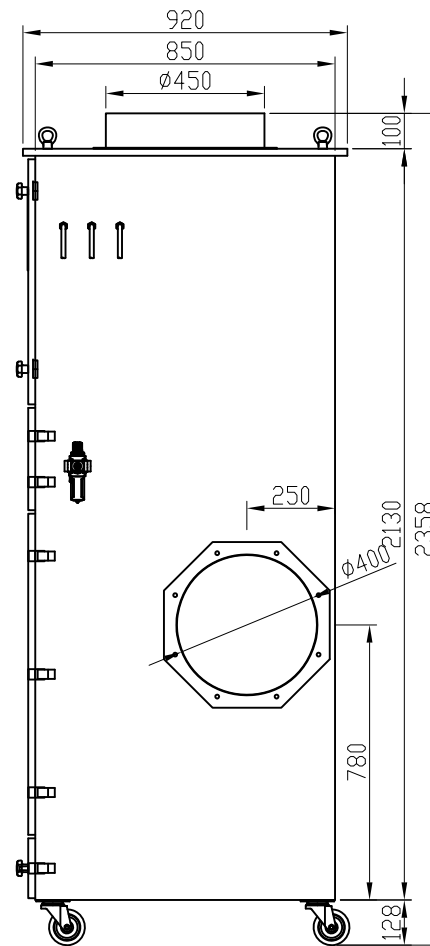
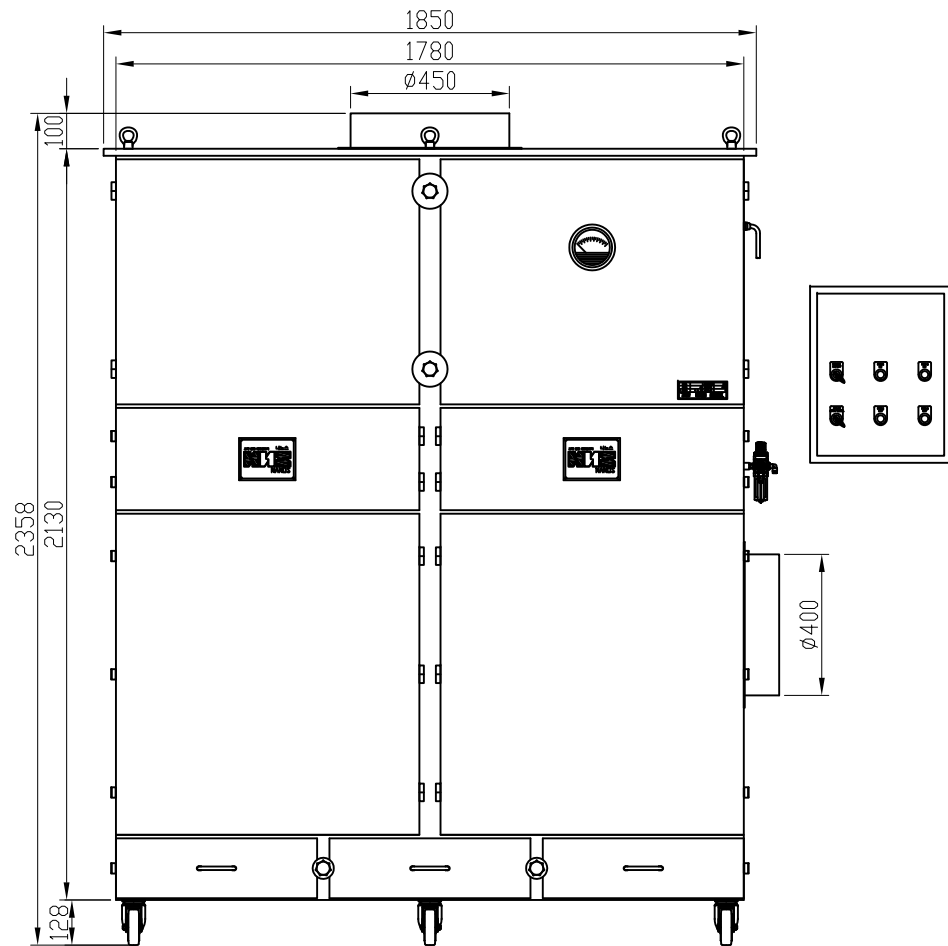
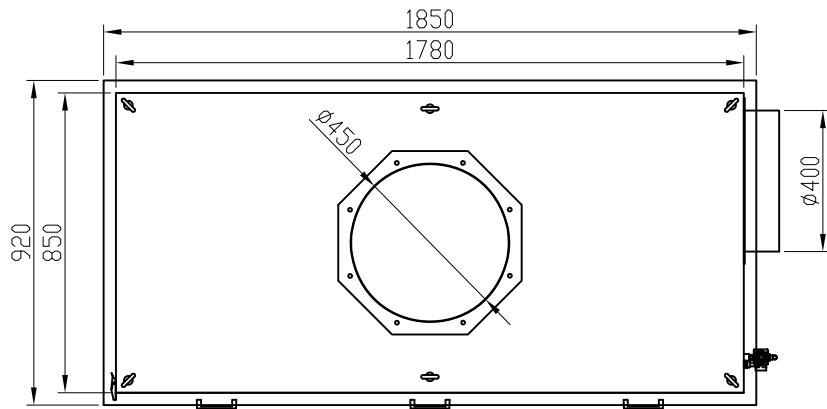
1	CABINET	1	1780 x 850 x 1830 x 2.3t
2	TURBO BLOWER	1	7.5kw x 100CMM x 250mmAq
3	SOLENOID VALVE	8	JISI-20
4	NOZZLE	8	PIPE 20A & 8A
5	AIR TANK	2	SQ PIPE 100
6	BAFFLE PLATE	2	PUNCHING PLATE 2.3t
7	CARTRIDGE FILTER	24	φ145 x 500L x 75tH
8	OUTLET FLANGE	1	φ400
9	LIFT LUG	6	I-NUT M12
10	MANDMOTOR	1	DIGITAL 0 ~ 300 mmAq
11	CONTROL PANEL	1	CONTROL SWITCH
12	POWER CABLE	1	V.C.T.F CABLE
13	CHECK LINE	1	PULSE & MANDMETER LINE
14	REGULATOR	1	PP2 (8A)
15	INLET FLANGE	1	φ350
16	DUST BDX	3	69 LITER
17	CASTER	6	ROTATION 4' STOPPER

\*\*\* CHECK POINTS \*\*\*  
A. ---

SPECIFICATION			
MODEL NAME	NA-100	OPTION	-
FAN SPEC.			
FAN DIVISION	TURBO BLOWER		
AIR VOLUME	100 CMM	STATIC	250 mmAq
MOTOR	7.5 kw [ 10 HP ]	POWER	380V x 3P
FILTER SPEC.			
1ST	CARTRIDGE FILTER	MATERIAL	POLYESTER
	SIZE	φ145 x 500L x 75tH x 24EA	AREA

\*\*\* PAINT COLOR \*\*\*  
BODY : EX8816(S) 5Y 7/1  
DOOR : EX8816-DIC546 1/2

 고객맞춤 대표 장비기 www.nanos.co.kr	SIZE	A3	CUSTOMER	-
	SCALE	1 / 1	TITLE	AIR PULSE TYPE DUST COLLECTOR
	DRAWN	APPROVED	NANOS	DWG. NO.
	B.B.M	-	NA-100	
12.06.01	-			



1	CABINET	1	1780 x 850 x 2080 x 2.3t
2	TURBO BLOWER	2	5.5kw x 80CMM x 250mmAq
3	SOLENOID VALVE	8	JISI-20
4	NOZZLE	8	PIPE 20A & 8A
5	AIR TANK	2	SQ PIPE 100
6	BAFFLE PLATE	2	PUNCHING PLATE 2.3t
7	CARTRIDGE FILTER	24	Ø145 x 800L x 75tH
8	OUTLET FLANGE	1	Ø450
9	LIFT LUG	6	I-NUT M12
10	MANDMETOR	1	SAILSORS / A2-300mm
11	CONTROL BOX	1	CONTRDL SWITCH
12	POWER & REMOTE	3	V.C.T.F CABLE
13	CHECK LINE	1	PULSE & MANDMETER LINE
14	REGULATOR	1	PP2 (8A)
15	INLET FLANGE	1	Ø400
16	DUST BOX	3	92 LITER
17	CASTER	6	ROTATION 4' STOPPER

\*\*\* CHECK POINTS \*\*\*

A, ---

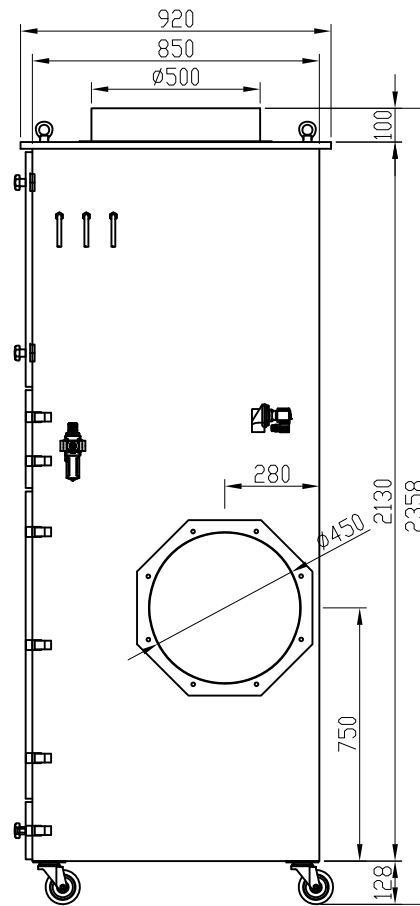
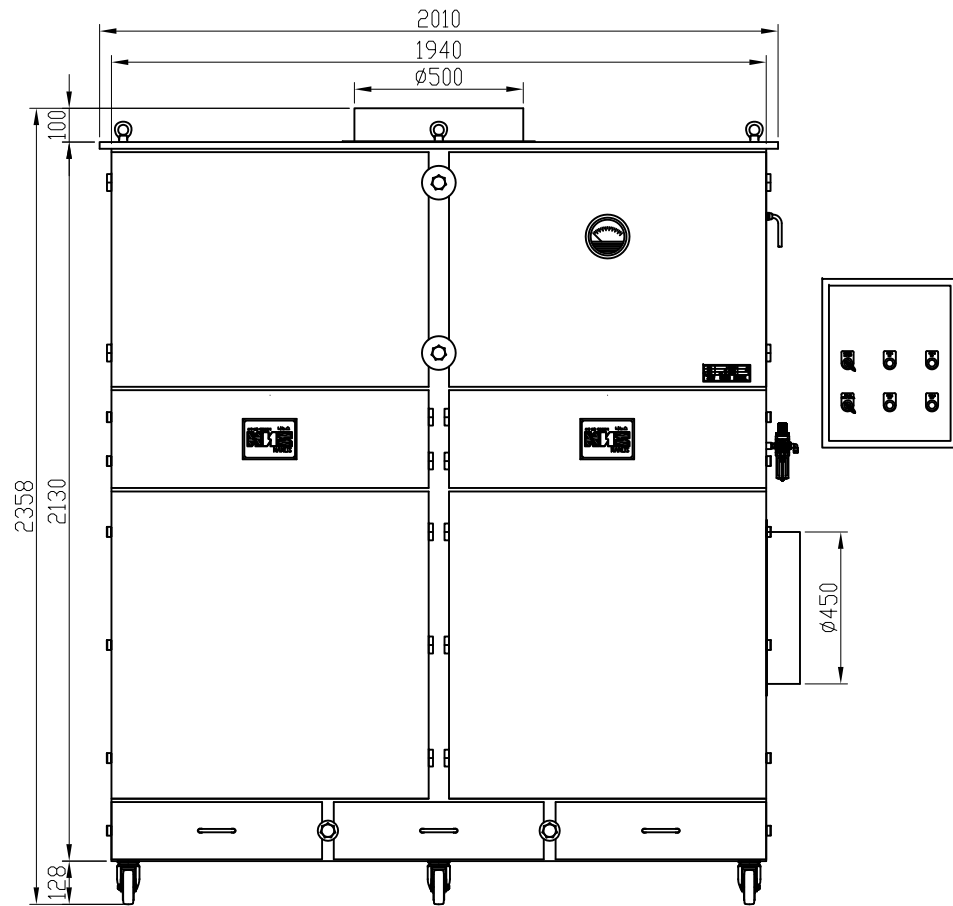
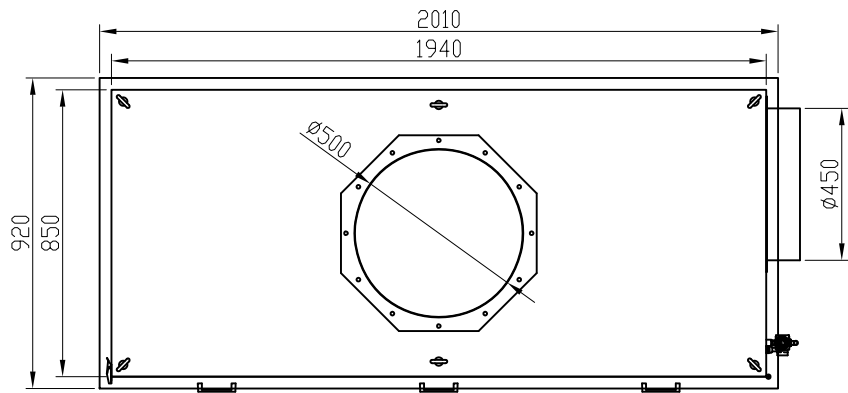
SPECIFICATION			
MODEL NAME	NA-150	OPTION	-
FAN SPEC.			
FAN DIVISION	TURBO BLOWER		
AIR VOLUME	160 CMM	STATIC	250 mmAq
MOTOR	5.5 kw x 2EA [ 7.5 HP ]	POWER	380V x 3P
FILTER SPEC.			
1ST	CARTRIDGE FILTER	MATERIAL	POLYESTER
	SIZE	Ø145 x 800L x 75tH x 24EA	AREA

\*\*\* PAINT COLOR \*\*\*

BODY : EX8816(S) 5Y 7/1

DOOR : EX8816-DIC546 1/2

 고객맞춤 대표 장비기 www.nanos.co.kr	SIZE	A3	CUSTOMER	-
	SCALE	1 / 1	TITLE	AIR PULSE TYPE DUST COLLECTOR
	DRAWN	APPROVED	NANOS	DWG. NO.
	B.B.M	-	NA-150	
12.06.01	-			



1	CABINET	1	1940 x 850 x 2130 x 2.3t
2	TURBO BLOWER	2	7.5kw x 100CMM x 250mmAq
3	SOLENOID VALVE	8	JISI-20
4	NOZZLE	8	PIPE 20A & 8A
5	AIR TANK	2	SQ PIPE 100
6	BAFFLE PLATE	2	PUNCHING PLATE 2.3t
7	CARTRIDGE FILTER	24	Ø165 x 800L x 65tH
8	OUTLET FLANGE	1	Ø500
9	LIFT LUG	6	I-NUT M12
10	MANOMETER	1	SAILSORS / A2-300mm
11	CONTROL BOX	1	CONTROL SWITCH
12	POWER & REMOTE	3	V.C.T.F CABLE
13	CHECK LINE	1	PULSE & MANOMETER LINE
14	REGULATOR	1	PP2 (8A)
15	INLET FLANGE	1	Ø450
16	DUST BOX	3	102 LITER
17	CASTER	6	ROTATION 4' STOPPER

\*\*\* CHECK POINTS \*\*\*

A. ---

SPECIFICATION			
MODEL NAME	NA-200	OPTION	-
FAN SPEC.			
FAN DIVISION	TURBO BLOWER		
AIR VOLUME	200 CMM	STATIC	250 mmAq
MOTOR	7.5 kw x 2EA [ 10 HP ]	POWER	380V x 3P
FILTER SPEC.			
1ST	CARTRIDGE FILTER	MATERIAL	POLYESTER
	SIZE	Ø165 x 800L x 65tH x 24EA	AREA

\*\*\* PAINT COLOR \*\*\*

BODY : EX8816(S) 5Y 7/1

DOOR : EX8816-DIC546 1/2

 고객맞춤 대표 장비기 www-nanos.co.kr	SIZE	A3	CUSTOMER	-
	SCALE	1 / 1	TITLE	AIR PULSE TYPE DUST COLLECTOR
	DRAWN	APPROVED	NANOS DWG. NO.	NA-200
	B.B.M	-		
	12.06.01	-		